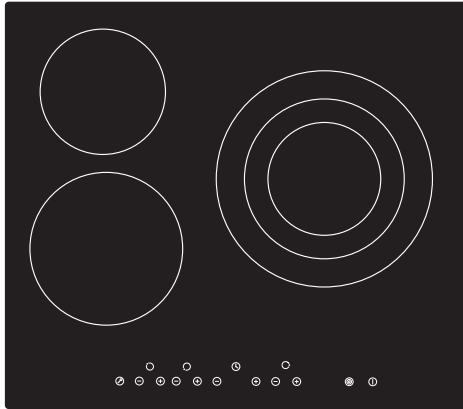


Instruction Manual Ceramic Hob



Model : MC-HT571

Thank you for purchasing the ceramic hob, please read this instructions manual carefully before using and keep it cautiously for your future reference.

Dear customer,
Thank you for purchasing the our ceramic hob.
Our product can serve you many years to your satisfaction.
Please read this instructions manual carefully before using and installation.
Keep it in a good place after reading for future reference.
Thank you again for your purchase of our ceramic hob, and wish
you to enjoy the pleasure brought about by it.

Product Introduction

The MC-HT571 microcomputer ceramic hob can meet different kinds of cuisine demands because of resistance wire heating, micro-computerized control and multi-power selection, really the optimal choice for modern families.

The ceramic hob centers on customers and adopts personalized design. The hob has safe and reliable performances, making your life comfortable and enabling to fully enjoy the pleasure from life.

Working Principle

The MC-HT571 microcomputer ceramic hob directly employs resistance wire heating, and realizes power regulation with the microcomputer controlling different heating time and closing time of the resistance wire.

Safety

1 High temperature protection

The temperature sensor mounted on the radiant electric the temperature inside the cooker from time to time. When an excessive temperature is detected, the cooking plate will be directly disconnected and stop power output.

Safety

2 Residual heat indicators

After using the hob, waste heat remains in the heating area. The power nixie tube shows the code “H”, warning to be away from the heating area.

3 Auto shut down protection

During the hob working, it is shut off automatically when the default timing reach by the program if without operating. If several heating zones work simultaneously, the hob will be automatically shut off when anyone heating area reaches it's default timer. The default working timer for various power levels are shown in the table below:

Power level	1	2	3	4	5	6	7	8	9
Default working time(hour)	8	8	8	4	4	4	2	2	2

Installation

1 Selection of installation equipment

Drill holes on the table surface according to the sizes shown in the drawing. For the purpose of installation and use, a minimum of 50 mm space shall be preserved around the hole.

Be sure the thickness of the table surface is at least 30mm. Please select heat-resistant table material to avoid larger deformation caused by the heat radiation from the hotplate.

As shown in Figure (1)

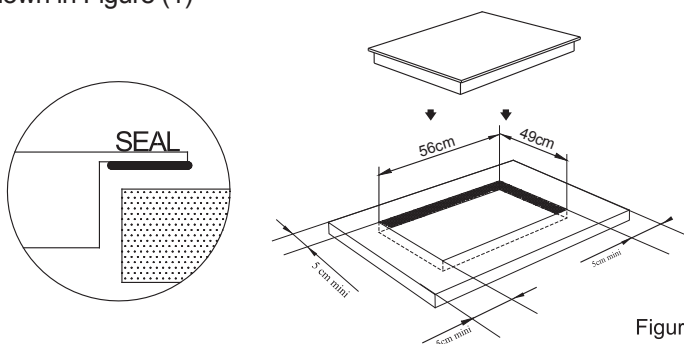


Figure (1)

2 Under any circumstances, make sure the ceramic hob is well ventilated and the air inlet and outlet are not blocked. Ensure the ceramic hob is in good work state. As shown in Figure (2)

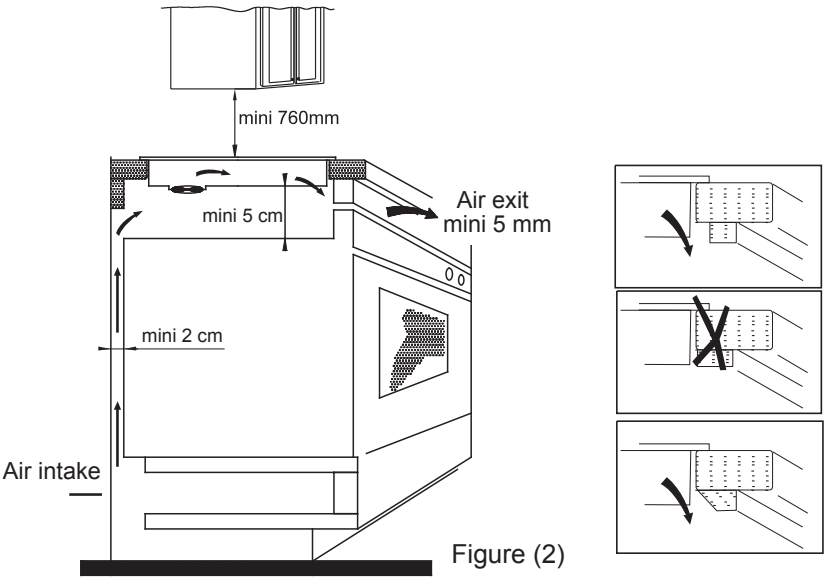
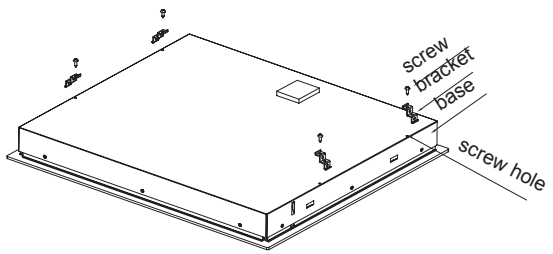


Figure (2)

Note: The safety distance between the ceramic hob and the cupboard above the hotplate should be at least 760mm.

3 Fix the hob on the table by screw four brackets on the bottom of hob (see picture) after installation. Adjust the bracket position to suit for different table top thickness.



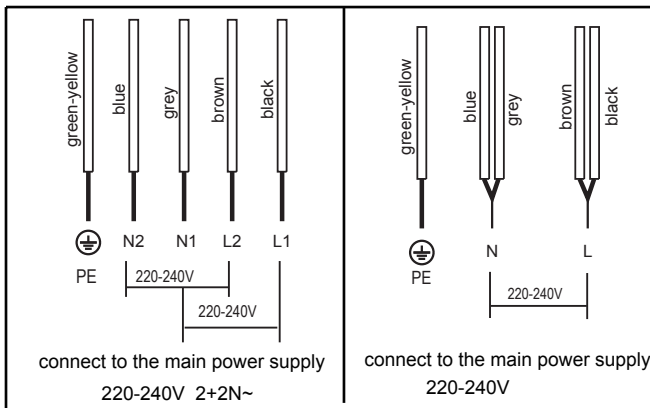
Cautions

1. The ceramic hob must be installed by qualified personnel or technicians. We have professionals at your service. Please never conduct the operation by yourself.
2. The ceramic hob shall not be mounted to cooling equipment, dishwashers and rotary dryers.
3. The ceramic hob shall be installed such that better heat radiation can be ensured to enhance its reliability.
4. The wall and induced heating zone above the table surface shall withstand heat.
5. To avoid any damage, the sandwich layer and adhesive must be resistant to heat.
6. A steam cleaner is not to be used.
7. A board is must to be installed underneath the hob.

4 Power line connection

The socket shall be connected according to the relevant standard or connected to a single-pole cut-out. 30 minimum supply.

The method of connection is shown in Figure (3):



The installer must ensure that the correct electrical connection has been made and that it complies with wiring rules.

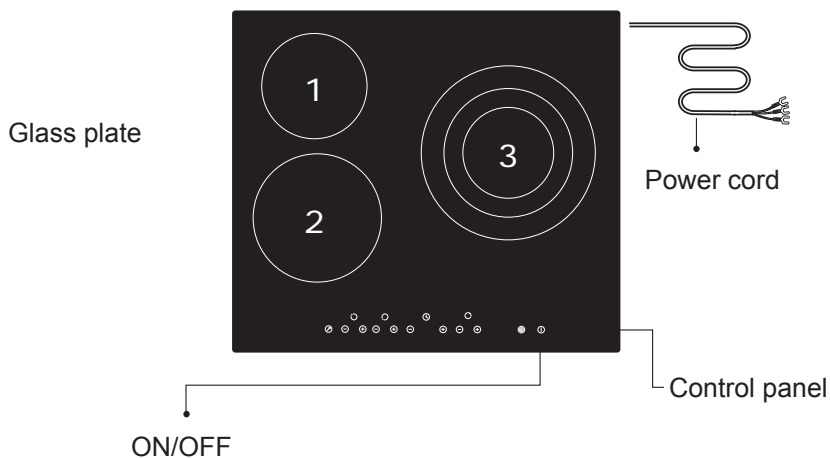
Figure (3)

If the cable is damaged or to be replaced, the operation must be carried out by the after-sale agent with dedicated tools to avoid any accidents. If the appliance is being connected directly to the mains, an omnipolar circuit-breaker must be installed with a minimum opening of 3mm between contacts. The installer must ensure that the correct electrical connection has been made and that it complies with wiring rules.

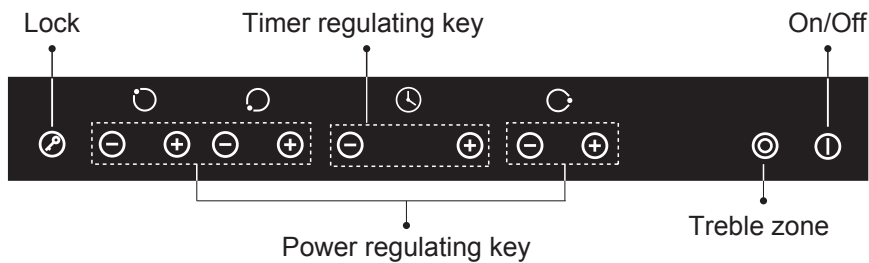
The cable must not be bent or compressed.

The cable must be checked regularly and replaced by authorised technicians only.

The ceramic hob appearance



Schematic diagram of the control panel



Instructions for Use

Put the pot in the center of the heating zone.

Preparation before using

After power on, the buzzer keep once, all the indicators light up for 1 second then go out, indicating the ceramic hob enters into standby mode.

Operation Instructions:

Switch on the ceramic hob

Press the "On/Off" key, the hob go to stanby mode,all the indicator shows "-".If the ceramic plate is hot,the indicator shows "-" and "H" alternately.

Press the "-" or "+" to decrease or increase the power level. If the power level returns to 0, the zone switch off.

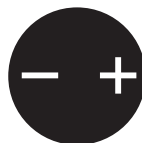


ON/OFF

Note: 1. In standby working mode, press the "ON/OFF" key the hob switch off.

2. In the standby mode,if no any other action within 1 minutes,the hob switch off.

3. Every heating zone is independent each other.



Treble loop function

The hob is fitted with double zone

Active the double zone

If you want to use bigger heating zone, press the "⊙" when the hob is in working mode .

Press the "⊙" for the first time, it works in double loop working mode.

Press the "⊙" for the second time, it works in treble loop working mode.

Press the "⊙" for the third time, it returns to the single loop working mode.



Note : 1.The function is available in the 3# heating zone.

2.You can change the power level from 1 to 9.

3. When the Double loop function is available, the corresponding indicator shows " P"

Timing function

Cooking timer

Select first one cooking zone by press the "-" or "+" of the corresponding heating zone,then the cooking zone display flashing. Then adjust timer by +/- of timer, after the timer indicator flashing 5 seconds, the timer is confirmed. You will find a red dot display at the cooking zone indicator you selected. It reminds you this cooking zone is with a timer setting. When cooking timer expire,relative cooking zone will be switch off automatically. Cooking timer only works for one cooking zone at the same time.



Minute reminder

Timer can be used as a Minute reminder. Active timer by press "+" or "-" key, display shows "00", adjust timer by press +/- key, single touch +/- key will increase or decrease 1 Minute, by press and hold +/- key you can adjust time by 10 Minutes. After 5 seconds, display will stop flashing, Minutes reminder start count down. Buzzer will bips for 30 seconds when setting time reached and the display shows "- -", cooking process and power setted will not be affected by Minute reminder.

Timing cancellation:

If press the "+" and "-" simultaneously, the timing can be cancelled automatically, with the timing indicator showing "--".

Lock function : To ensure the safety of children, the hob is provided with the function of lock function.



Lock key

Activating the lock function : When the lock is deactivated, touch the "Lock" key to activate the Lock function, and the timer indicator shows "Lo", and the indicator lamp will light up.

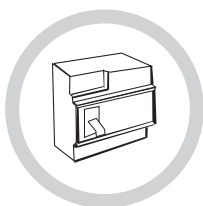
The rest keys disabled except the "ON/OFF" key.

Deactivating the lock function : When the hob in the locking mode, you can deactivate the lock function by holding the "lock" key for a while.

The power of each heating zone are shown as follow:

Heating zone	1	2	3		
			Inner	double-loop	three-loop
Power(w)	1200	1800	950W	1800W	2700W

Safety Reminding and Maintenance



A dedicated power protection air switch with protection air switch must be incorporated in the fixed wiring in accordance with the wiring rules.



Never use the ceramic cooker hob in high temperature environments such as near a gas stove or kerosene stove.



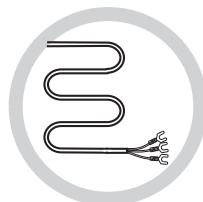
Do not put any detergents or flammable materials in the equipment installed under the ceramic hob.



Metallic objects such as knives, forks, spoons and lids should not be placed on the hotplate since they can get hot.



For sealed foods such as canned goods, please do not heat them before opening their covers so as to avoid any dangers of explosion due to heating expansion.



If the supply cord is damaged, it must be replaced by the manufacturer, its service agent or similarly qualified persons in order to avoid a hazard.



Do not place rough or uneven appliances, which may damage the ceramic surface.



If the surface is cracked, switch off the appliance to avoid the possibility of electric shock.



Never wash the induction cooker with water directly to avoid danger.



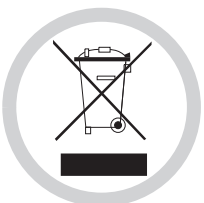
Never have the ceramic cooker hob to work without food inside, otherwise its operational performance may be affected and danger may happen.



After being used for a long time, the corresponding heating zone of the ceramic cooker hob is still hot. Never touch the ceramic surface to avoid burning.



Keep electrical appliance out of reach from children or inform person. Do not let them use the appliances without supervision.



DISPOSAL: Do not dispose this product as unsorted municipal waste. Collection of such waste separately for special treatment is necessary.



Indoor use only.



Clean the ceramic hob on a regular basis to prevent foreign matters from entering the fan thus influencing the normal operation.

1. This appliance is not intended for use by persons (including children) with reduced physical, sensory or mental capabilities, or lack of experience and knowledge, unless they have been given supervision or instruction concerning use of the appliance by a person responsible for their safety.
Children should be supervised to ensure that they do not play with the appliance.
2. If the supply cord is damaged, it must be replaced by the manufacturer, its service agent or similarly qualified persons in order to avoid a hazard.
3. A steam cleaner is not to be used.
4. After use, switch off the hob element by its control and do not rely on the pan detector.
5. The appliance is not intended to be operated by means of an external timer or separate remote-control system.

Cleanness and Maintenance

You can easily clean the surface of the ceramic hob if following the methods given in the table.

Type of contamination	Method of cleaning	Articles used for cleaning
Light	clean with damp cloth and dry it with another cloth	Cleaning sponge
Accumulation of dirt	clean with damp cloth and dry it with another cloth	Special cleaning sponge for ceramic glass
Rings and lime crumbles	Apply white vinegar to the polluted zone, then wipe it dry with soft cloth or a special article available in local markets	Special adhesive for ceramic glass
Sweetmeat, melt aluminum or plastics	Use a scraper suitable for ceramic glass (to protect glass, a silicon product is preferred) to remove residuals	Special adhesive for ceramic glass

Hint: please disconnect power before the cleaning.

Maintenance Service Warranty

For any failure of the product, please contact the special maintenance department or the customer service center.

1. There is a year's guarantee with this brand ceramic cooker hob.
2. The period of warranty shall start from the date on which the invoice is issued.
3. Any one of the following cases is without the warranty:
 - Damages caused by improper use, storage and maintenance of the consumer.
 - Damages caused by unauthorized disassembly and repair in the maintenance department not designated by the company. Model of invoice and model of product maintained are not in conformity or are altered.
 - Valid invoice can not be presented.
 - Damages caused by force majeure.
 - Using the ceramic hob for commercial purposes.

Special Declaration

All the contents in this material have been subjected to careful check. For any mistake and omission in printing or misunderstanding of the contents, the company keeps the right of interpretation.

Addition: any technical improvement will be placed in the revised manual without notice; for product appearance and color is according to the actual one
